



**Acoustical Surfaces, Inc.**

123 Columbia Court North, Suite 201

Chaska, MN 55318

Tel: (952)-448-5300

Fax: (952)-448-2813

1-(800)-854-2948

[www.acousticalsurfaces.com](http://www.acousticalsurfaces.com)

[sales@acousticalsurfaces.com](mailto:sales@acousticalsurfaces.com)

File No.

ECHO BAFFLES.DWG

Issue Date

5/25/2010

Revised

Drawn By

MTH

Checked By

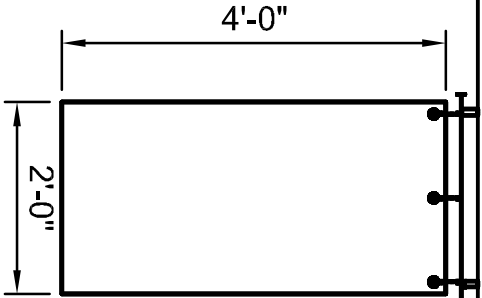
PROJECT

DRAWING TITLE

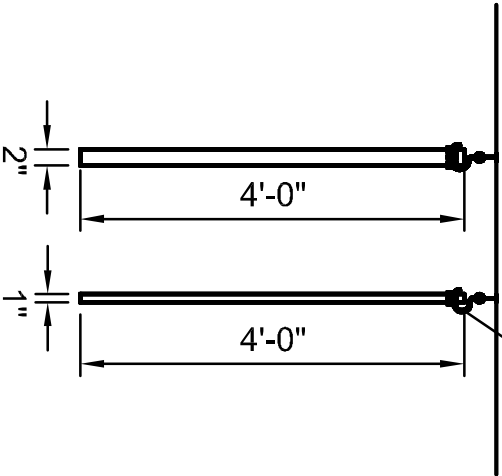
ECHO ELIMINATOR  
BAFFLE

DRAWING NO.

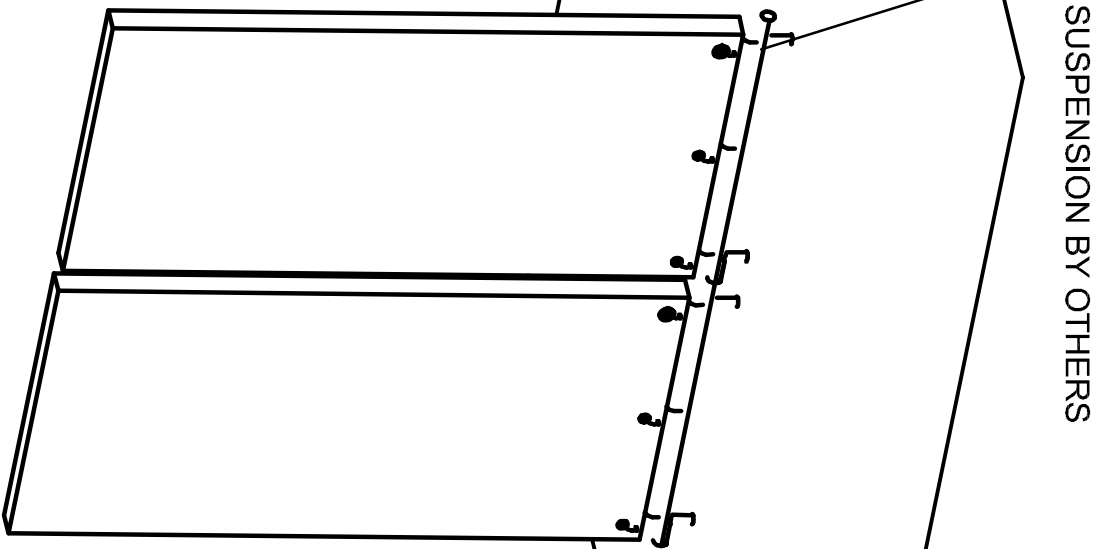
ASS.2



**1** FRONT ELEVATION  
1/2"=1'-0"



**2** SIDE ELEVATION  
1/2"=1'-0"



SUSPENSION BY OTHERS

**3** PERSPECTIVE  
N.T.S.